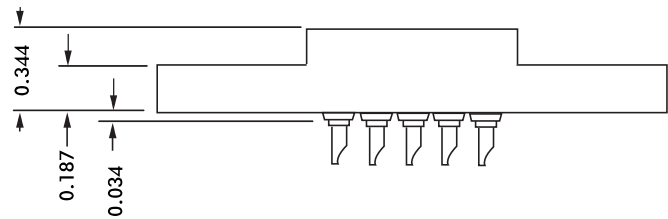
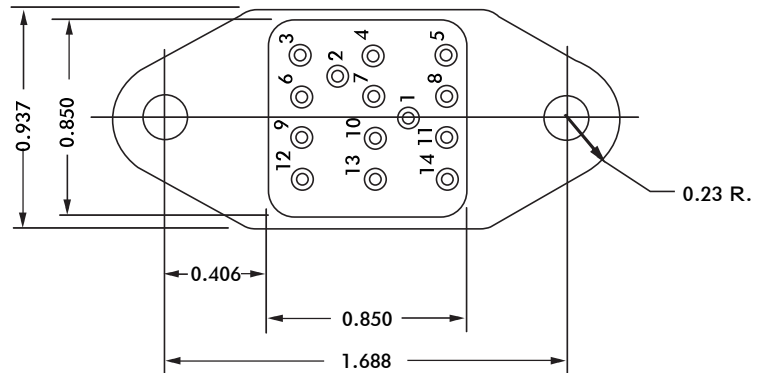
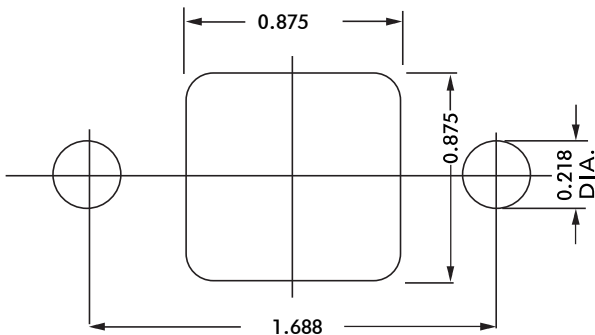


HRB SERIES



CONTACT DATA	CHASSIS MOUNTING DATA				
	CHASSIS THICKNESS	X-DIMENSION	BELOW CHASSIS	BELOW CHASSIS	ABOVE CHASSIS
 SOLDER CUP	$\frac{1}{16}$.12		HRB-1	HRB-2
	$\frac{3}{32}$.09		HRB-31	HRB-32
	$\frac{1}{8}$.06	HRB-41		HRB-42
 EYELET	$\frac{1}{16}$.12		HRB-5	HRB-6
	$\frac{3}{32}$.09		HRB-35	HRB-36
	$\frac{1}{8}$.06	HRB-45		HRB-46
 TURRET	$\frac{1}{16}$.12		HRB-3	HRB-4
	$\frac{3}{32}$.09		HRB-33	HRB-34
	$\frac{1}{8}$.06	HRB-43		HRB-44
 TAPER PIN	$\frac{1}{16}$.12		HRB-7	HRB-8
	$\frac{3}{32}$.09		HRB-37	HRB-38
	$\frac{1}{8}$.06	HRB-47		HRB-48



RECOMMENDED CHASSIS CUT-OUT

ELECTRICAL

Wire Size:

Solder Cup Type One #20 AWG
Turret Type Two #20 AWG or
Three #22 AWG

Eyelet Type Two #20 AWG or
Three #22 AWG

Taper Type One AMP ?37? Taper
Receptacle

Current Rating 7.5 Amperes

Withstanding Voltage:

Contact to Contact Sea Level 2700 VRMS Minimum
Contact to Ground Sea Level 5400 VRMS Minimum
Contact to Contact 70,000 Ft. 560 VRMS Minimum
Contact to Ground 70,000 Ft. 975 VRMS Minimum

MECHANICAL

Creepage Between Contacts 0.16 Minimum

Air Space Between Contacts 0.09 Minimum

Contacts to Accept 0.040 ± 0.001 DIA. Pins

Contacts:

Spring Temper Grade "A" Phosphor Bronze, or
Heat Treated Beryllium Copper
Gold Plated over Copper or Nickel Plate

Mounting Hardware:

Special Studs, Screws, Lockwashers, and Nuts

Insulation Material:

Choice of **MIL Approved** Thermosetting
Insulations (See Page 45)

Temperature Ratings: -65°C to +125°C

Weight of Socket with Mountings: 0.96 oz.