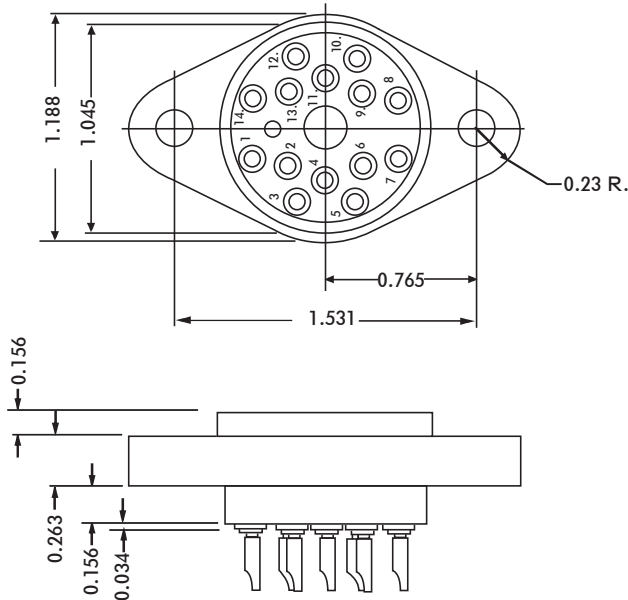


HRH SERIES



ELECTRICAL

Wire Size:

- Solder Cup Type One #16 AWG or Two #20 AWG
- Turret Type Two #20 AWG or Three #20 AWG

Current Rating 13 Amperes

Withstanding Voltage:

- Contact to Contact Sea Level 1500 VRMS Minimum
- Contact to Ground Sea Level2700 VRMS Minimum
- Contact to Contact 70,000 Ft.375 VRMS Minimum
- Contact to Ground 70,000 Ft. 560 VRMS Minimum

MECHANICAL

- Creepage Between Contacts 0.11 Minimum
- Air Space Between Contacts 0.05 Minimum
- Contacts to Accept 0.062 ± 0.001 DIA. Pins

Contacts:

- Spring Temper Grade "A" Phosphor Bronze, or Heat Treated Beryllium Copper
- Gold Plated over Copper or Nickel Plate

Mounting Hardware:

- Special Studs, Screws, Lockwashers, and Nuts

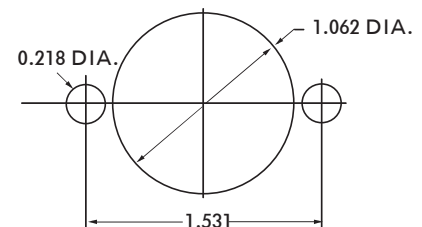
Insulation Material:

- Choice of "MIL Approved" Thermosetting Insulations (See Page 45)

Temperature Ratings: -65°C to +125°C

Weight of Socket with Mountings: 1.39 oz.

CONTACT DATA	CHASSIS MOUNTING DATA				
	CHASSIS THICKNESS	X-DIMENSION	MOUNTING TYPE		
			BELOW CHASSIS	BELOW CHASSIS	ABOVE CHASSIS
 SOLDER CUP	1/16	.12		HRH - 1	HRH - 2
	3/32	.09		HRH - 31	HRH - 32
	1/8	.06		HRH - 41	HRH - 42
 TURRET	1/16	.12		HRH - 3	HRH - 4
	3/32	.09		HRH - 33	HRH - 34
	1/8	.06		HRH - 43	HRH - 44
 WIRE WRAP	1/16	.12		HRH - 9	
	3/32				
	1/8				



RECOMMENDED CHASSIS CUT-OUT