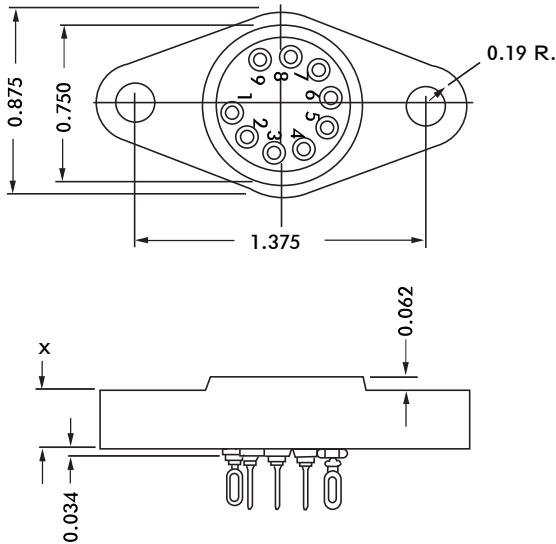




# HRD SERIES



## ELECTRICAL

Wire Size: ..... One #20 AWG  
 Solder Cup Type ..... Two #20 AWG or Three #22 AWG  
 Turret Type ..... Two #20 AWG or Three #22 AWG  
 Eyelet Type ..... Two #20 AWG or Three #22 AWG  
 Taper Type ..... One AMP #37? Taper Receptacle  
 Current Rating ..... 7.5 Amperes  
 Withstanding Voltage:  
 Contact to Contact Sea Level ..... 1800 VRMS Minimum  
 Contact to Ground Sea Level ..... 3300 VRMS Minimum  
 Contact to Contact 70,000 Ft. .... 450 VRMS Minimum  
 Contact to Ground 70,000 Ft. .... 675 VRMS Minimum

## MECHANICAL

Creepage Between Contacts ..... 0.12 Minimum  
 Air Space Between Contacts ..... 0.06 Minimum  
 Contacts to Accept 0.040 ± 0.001 DIA. Pins

### Contacts:

Spring Temper Grade "A" Phosphor Bronze, or Heat Treated Beryllium Copper  
 Gold Plated over Copper or Nickel Plate

### Mounting Hardware:


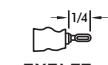
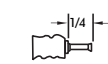

Special Studs, Screws, Lockwashers, and Nuts

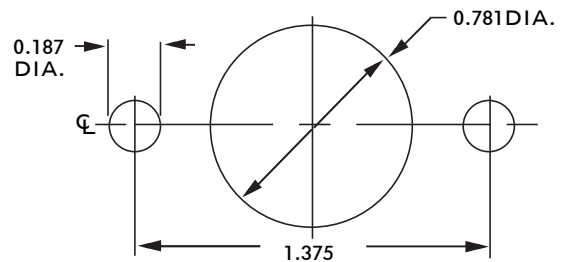
### Insulation Material:

Choice of **MIL Approved** Thermosetting Insulations (See Page 45)

Temperature Ratings: -65°C to +125°C

Weight of Socket with Mountings: 0.70 oz.

CONTACT DATA	CHASSIS MOUNTING DATA			
	CHASSIS THICKNESS	X-DIMENSION	CONTACT DIMENSIONS	
			BELOW CHASSIS	ABOVE CHASSIS
 SOLDER CUP	1/16 .28	0.44	HRD-1	HRD-2
	3/32 .25	X	HRD-31	HRD-32
	1/8 .25	0.28	HRD-41	
 EYELET	1/16 .28	0.50	HRD-5	HRD-6
	3/32 .25		HRD-35	HRD-36
	1/8 .25		HRD-45	
 TURRET	1/16 .28		HRD-3	HRD-4
	3/32 .25		HRD-33	HRD-34
	1/8 .25		HRD-43	
 TAPER PIN	1/16 .28		HRD-7	HRD-8
	3/32 .25		HRD-37	HRD-38
	1/8 .25		HRD-47	



RECOMMENDED CHASSIS CUT-OUT