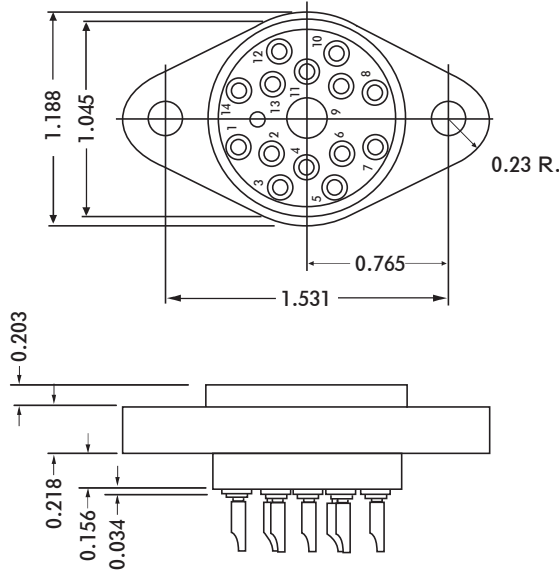




# HRHF SERIES



## ELECTRICAL

Wire Size:

- Solder Cup Type . . . . . One #16 AWG or Two #20 AWG
- Turret Type . . . . . Two #16 AWG or Three #20 AWG

Current Rating . . . . . 13 Amperes

Withstanding Voltage:

- Contact to Contact Sea Level . . . . . 1500 VRMS Minimum
- Contact to Ground Sea Level . . . . . 2700 VRMS Minimum
- Contact to Contact 70,000 Ft. . . . . 375 VRMS Minimum
- Contact to Ground 70,000 Ft. . . . . 560 VRMS Minimum

## MECHANICAL

- Creepage Between Contacts . . . . . 0.11 Minimum
- Air Space Between Contacts . . . . . 0.05 Minimum
- Contacts to Accept 0.062 ± 0.001 DIA. Pins

Contacts:

- Spring Temper Grade "A" Phosphor Bronze, or Heat Treated Beryllium Copper
- Gold Plated over Copper or Nickel Plate

Mounting Hardware:

- Special Studs, Screws, Lockwashers, and Nuts

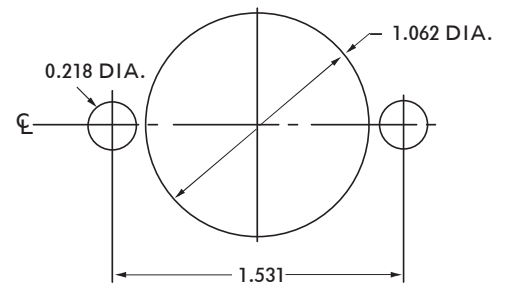
Insulation Material:

- Choice of "MIL Approved" Thermosetting Insulations (See Page 45)

Temperature Ratings: -65°C to +125°C

Weight of Socket with Mountings: 1.39 oz.

CONTACT DATA	CHASSIS MOUNTING DATA				
	CHASSIS THICKNESS	X-DIMENSION	MOUNTING STYLE		
			BELOW CHASSIS	BELOW CHASSIS	ABOVE CHASSIS
	1/16	.12		HRHF - 21	HRHF - 22
	3/32	.09	HRHF - 31		HRHF - 32
<b>SOLDER CUP</b>	1/8	.06	HRHF - 41		HRHF - 42
	1/16	.12		HRHF - 23	HRHF - 24
	3/32	.09	HRHF - 33		HRHF - 34
	1/8	.06	HRHF - 43		HRHF - 44



RECOMMENDED CHASSIS CUT-OUT