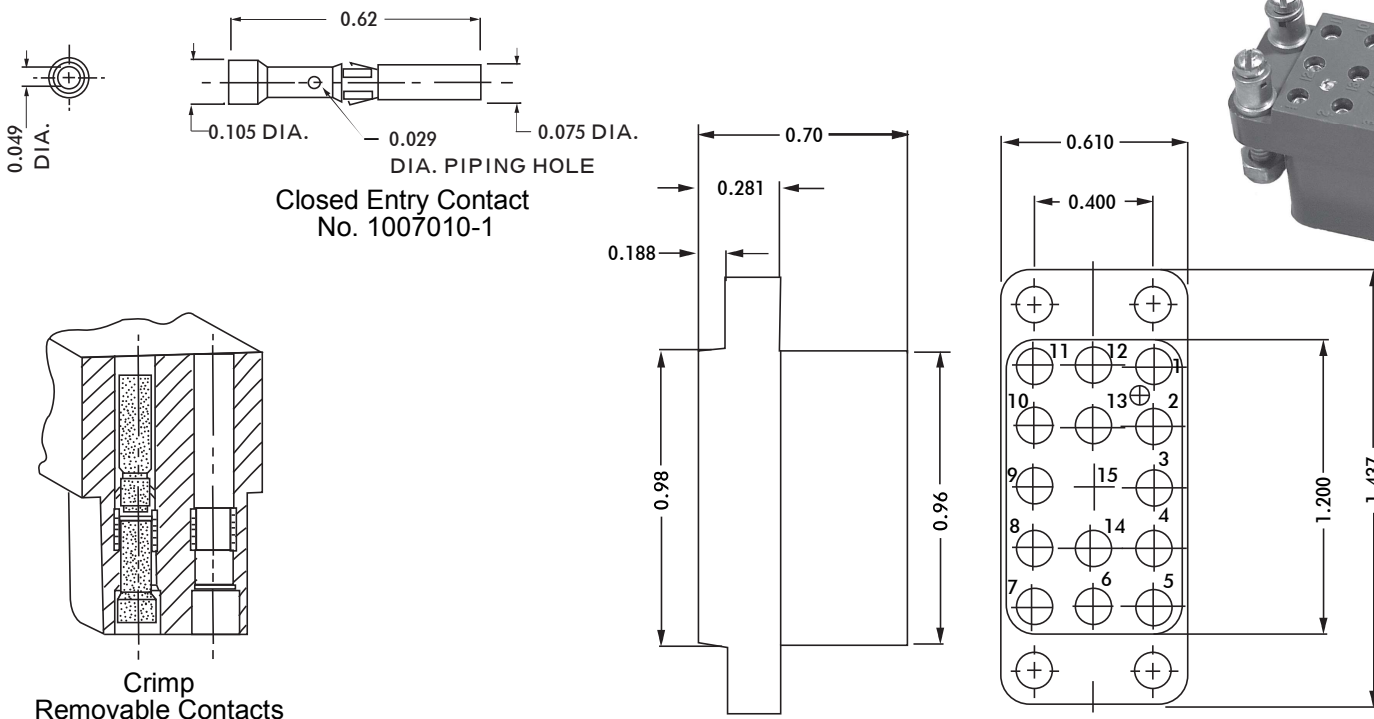




# HRCC-CK SERIES



## SPECIFICATIONS

### ELECTRICAL

Current Rating .....	3 Amperes
Contact Size .....	0.030 Inch
Withstanding Voltage	
Contact to Contact Sea Level .....	2700 VRMS Minimum
Contact to Ground Sea Level .....	1500 VRMS Minimum
Contact to Contact 70,000 Ft. ....	.560 VRMS Minimum
Contact to Ground 70,000 Ft. ....	.375 VRMS Minimum

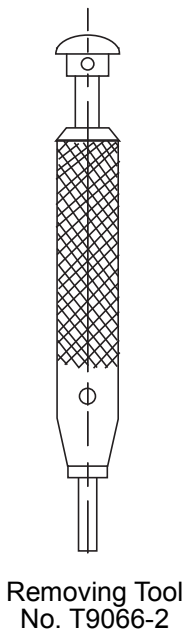
### MECHANICAL

Creepage Between Contacts .....	.012 Min.
Air Space Between Contacts .....	.009 Min.
Terminal Accommodation .....	One No. 20, One No. 22, One or Two No. 24 AWG Wire
Contact Material & Plating .....	Phosphor Bronze, Gold Plated (Sleeve-Brass) (0.000050 inch) per MIL-G-45204, Type II, Class 1, Over Copper Plate
Contact Retaining Clip .....	Stainless Steel, Passivated
Crimping Tool .....	No. MS 3191A
Positioner .....	No. KP7010
Insertion Tool .....	Not Required

Mounting Hardware:  
Special Studs, Screws Lockwashers and Nuts

Insulation Material:  
Choice of **MIL Approved** Thermosetting  
Insulations (See Page 45)

Temperature Ratings: -65°C to +125°C  
Weight of Socket with Mountings: 0.75 oz.



Removing Tool  
No. T9066-2